



The New IP Matrix Range

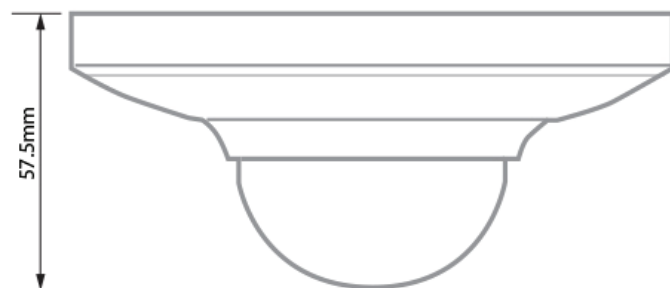
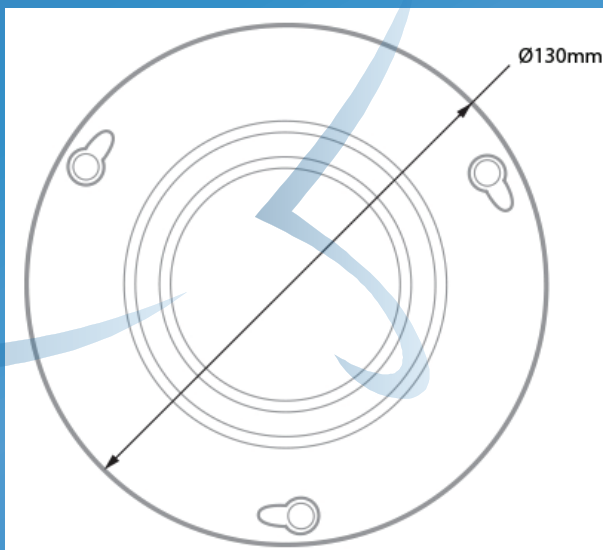
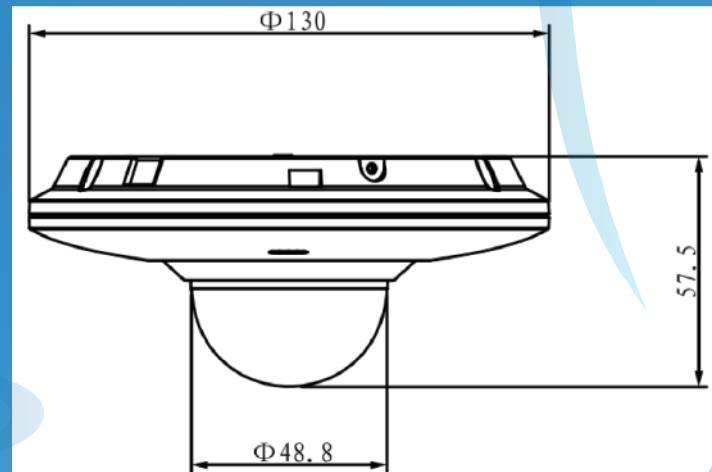
IP-PTFE001 3MP Full HD Mini Dome Camera

Main Features Include:

- 3.6mm Lens with Pan & Tilt, Digital 3x Zoom
- 1.3" 3Mp Progressive Scan CMOS
- 20fps @ 3Mp, 25 / 30fps @ 1080p
- 3DNR, AWB, AGC & BLC
- PoE
- Built in Microphone
- Day / Night
- Onvif Profile S Compatible
- Dual Streaming
- Manage via Software
- MicroSD Card Support
- IK10 & IP66 Rated
- Size: \varnothing 122mm x 89mm

Specification may change without prior notice

Dimensions:





The New IP Matrix Range

IP-PTFE001 3MP Full HD Mini Dome Camera



Technical Data

Camera	Image Sensor	1/3" 3Megapixel Progressive Scan CMOS
	Effective Pixels	H 2048 x V 1536
	Scanning System	Progressive
	Electronic Shutter Speed	Auto / Manual, 1/3(4) ~ 1/10000
	Minimum Illumination	0.01 Lux / F2.0 Colour
	S/N Ratio	More than 50dB
Features	Max. IR LEDs Length	N/A
	Day/Night	Auto Electronic Colour B/W
	Backlight Compensation	Off BLC HLC DWDR
	White Balance	Auto Manual
	Gain Control	Auto Manual
	Noise Reduction	3D
Lens	Privacy Masking	Up to 4 Areas
	Digital Zoom	3x
	Focal Length	3.6mm
	Max Aperture	F1.2
	Focus Control	Manual
	Angle of View	H:72.5°
PT	Lens Type	Fixed lens
	Mount Type	Board-in Type
	Pan / Tilt Range	Pan: 0° ~ 180° Tilt: 0° ~ 90°
Aux.	Preset Speed	100° /s
	Preset	25
Video	Memory Slot	Micro SD up to 64GB
	RS485 Alarm PIR Sensor	N/A
	Compression	H.264 / MJPEG
	Resolution	3MP (2048 x 1536) / 1080P (1920 x 1080) / 720P (1280 x 720) / D1 (704 x 576 / 704 x 480) / CIF (352 x 240)
Audio	Frame Rate - Main Stream	20fps @ 3MP 25fps All Resolutions
	- Sub Stream	25fps @ D1/CIF
	Bit Rate	H.264: 32K ~ 8192Kbps
Network	Compression	G.711a / G.711u / PCM
	Interface	Built-in MIC
	Ethernet	RJ-45 (10 / 100 Base-T)
	Protocol	IPv4/v6, HTTP, HTTPS, SSL, TCP/IP, UDP, UPnP, ICMP, IGMP, SNMP, RTSP, RTP, SMTP, NTP, DHCP, DNS, PPPOE, DDNS, FTP, IP Filter, QoS, Bonjour
General	Compatibility	ONVIF, PSIA, CGI
	Max. User Access	20 users
	Smart Phone	iPhone, iPad, Android, Windows
	Power Supply	DC12V, PoE (802.3af)
	Power Consumption	<4.5W
	Working Environment	-30°C ~ +60°C, Less than 95% RH
	Ingress Protection	IP66
Vandal Resistance	IK10	
Dimensions	Φ130mm x 57.5mm	
Weight	0.25kg	

